



Practix – Mobile Radiography

Your own declaration of independence

Practix Convenio

Practix Convenio combines cutting-edge technology with almost unlimited mobility. Because of its autonomous system you are no longer hampered by restricting cables or the search for sockets. Its modern and compact design also allows for easy deployment even in the smallest of spaces, whilst long battery life gives operators a whole day of full applications without the need to recharge.



Mobility from head to toe



Convenient system positioning from tube head

Easy handling and positioning

With its compact size and integrated motor, Practix Convenio easily masters obstacles and inclines. The unit runs on its own power with the speed that is most convenient to the operator and can be stopped by simply releasing the handle. Fine positioning from the tube head is also possible. The Practix Convenio offers a long battery life for a full day's work and demonstrates optimal mobility at the bedside: Due to its extendable arm patients can be reached easily from all points around the bed.

Applications

The Practix Convenio is equipped with a microprocessor-controlled 30 kW X-ray high-power generator, making all types of applications and best image quality possible. With its high performance and cordless use the Practix Convenio is particularly suitable wherever connection to power sockets is a disadvantage, like in the ICU, trauma rooms or for pediatric applications. The unit is particularly user-friendly and has 36 APR programs accessible via the high resolution display in order to facilitate and accelerate your specific routine settings.

Options

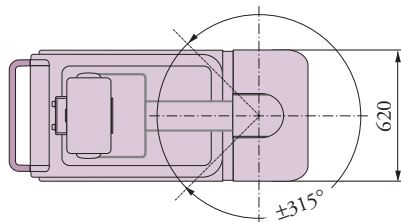
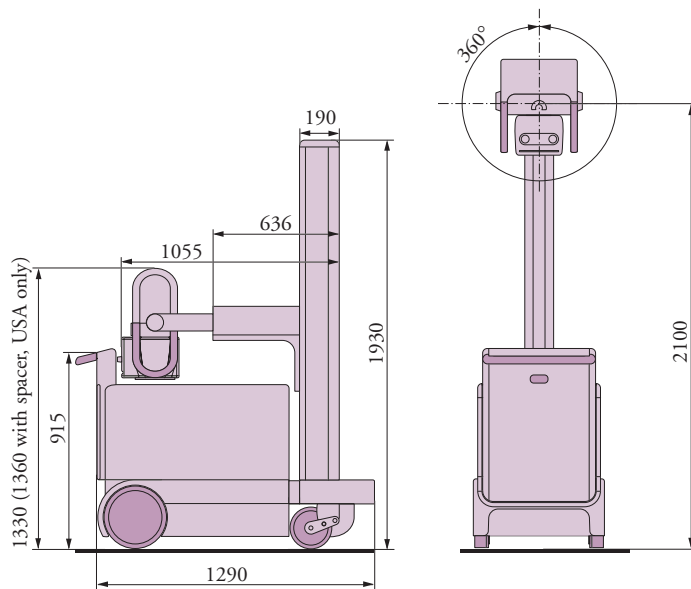
An integrated dose area product measurement and infrared remote control for maximum radiation protection are available as optional extras. The Practix Convenio can be combined with the manual exposure control Mobil Aid, preventing over or underexposures.

Technology

you can rely on

Basic unit Practix Convenio	
Type	Battery driven X-ray unit with rotating column ($\pm 315^\circ$) and telescopic X-ray tube arm comprising 12 gel batteries. Variable speed: backwards 2,5 km/h, forward 5 km/h.
Dimensions in mm (l x w x h)	1290 x 620 x 1930 (50.83" x 24.43" x 76.04")
Cassette storage	Radiation protected for up to 8 cassettes + grid
Source-floor distance	80 cm to 210 cm
Weight	<450 kg (992 lbs)
Generator	
Type	High-power X-ray generator (20 kHz)
Peak power	30 kW (100 kV / 20 ms)
Nominal power	20 kW (100 kV / 100 ms)
Tube voltage	40 kV to 125 kV in 1 kV steps
Maximum current	300 mA
Tube current time product	<ul style="list-style-type: none"> – large focal spot: 0.63 mAs to 320 mAs – small focal spot: 0.1 mAs to 200 mAs
Mains supply	115 V -15% to 230V +10%, AC standard mono phase with ground automatic unit predisposition in dependence on the mains line
Mains fuse	10 A
Preparation time	≤ 2 s
Exposure times	1.5 ms to 3.2 s
X-ray tube	
Type	High-resolution rotating-anode X-ray tube
Material	Tungsten, Rhodium and Molybdenum
Nominal focal spot	0,8 small focus/1,3 large focus
Anode angle	15°
Maximum radiation field	43 cm x 43 cm by 1 m SID
Options	
	<ul style="list-style-type: none"> Dose measurement device Diamentor Remote control Additional pediatric filters Portable AEC (Mobil Aid)

The dimensions of maneuverability

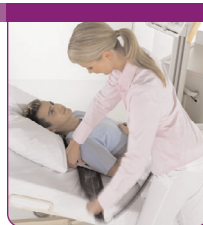


Practix Convenio

All dimensions in mm



Extra large
cassette drawer



Automatic exposure
control using the
Mobil Aid



User interface for
full system control
including all options



Digitalization via
Philips Computed
Radiography

Lateral exposures independent
from system positioning



Due to its geometry with swiveling
column and telescopic
tube arm, both beds are easily
accessible without the need to
reposition the basic system.



Even within reach
from the bed's foot end



**Philips Medical Systems is part
of Royal Philips Electronics**

Interested?

Would you like to know more about our imaginative products? Please do not hesitate to contact us. We would be glad to hear from you.

On the web

www.medical.philips.com

Via e-mail

medical@philips.com

By fax

+31 40 27 64 887

By postal service

**Philips Medical Systems
Global Information Center
P.O. Box 1168
5602 BD Eindhoven
The Netherlands**

Asia

Tel: +852 2821 5888

Europe, Middle East, Africa

Tel: +31 40 27 62092

Latin America

Tel: +55 11 2125 0764

North America

Tel: +1 800 285 5585

© Koninklijke Philips Electronics N.V. 2005

All rights are reserved. Reproduction in whole or in part is prohibited without the prior written consent of the copyright holder.

Philips Medical Systems DMC GmbH reserves the right to make changes in specifications and/or to discontinue any product at any time without notice or obligation and will not be liable for any consequences resulting from the use of this publication.

Printed in The Netherlands.
4522 981 94601/704* FEB 2005

